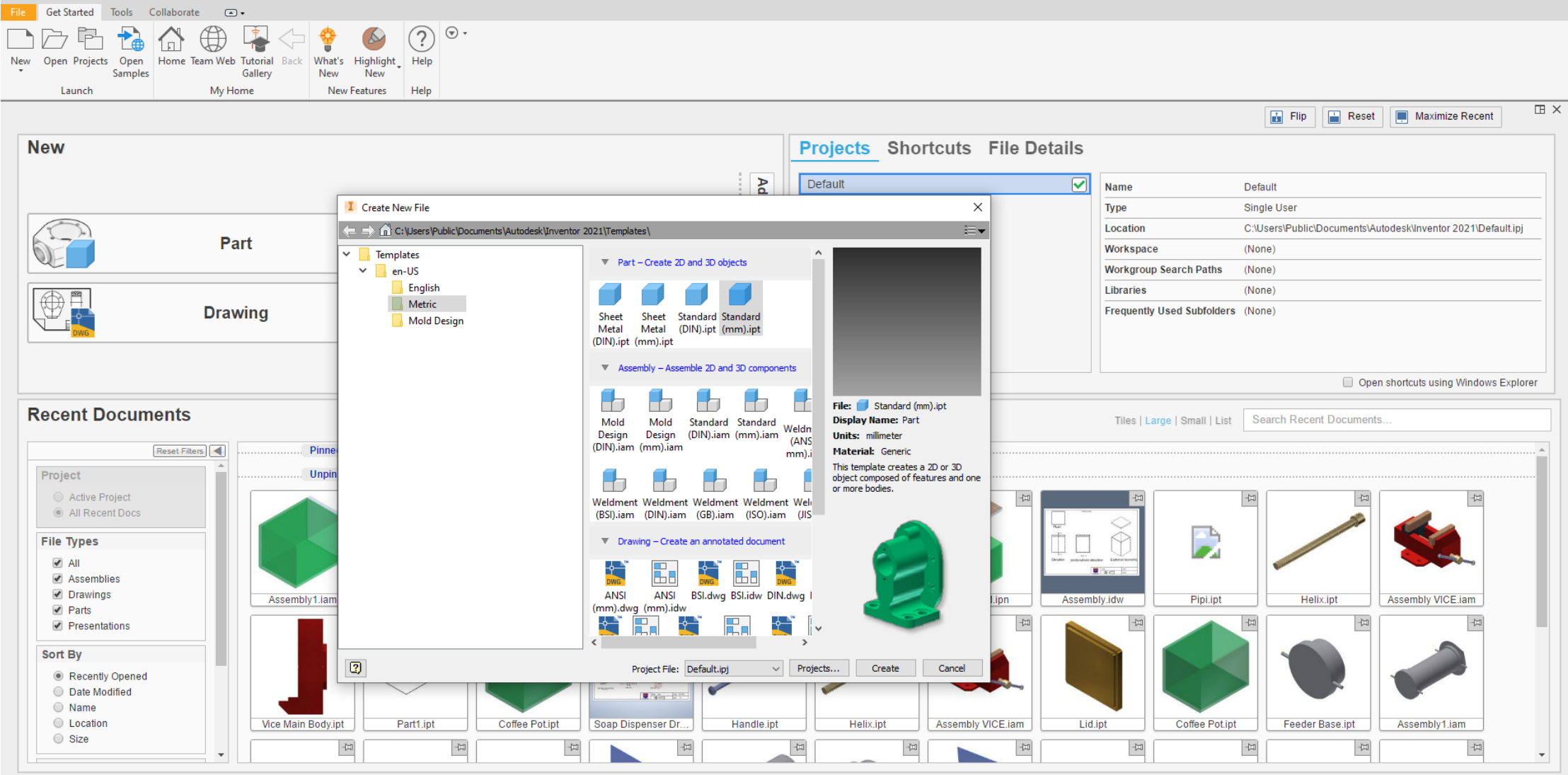


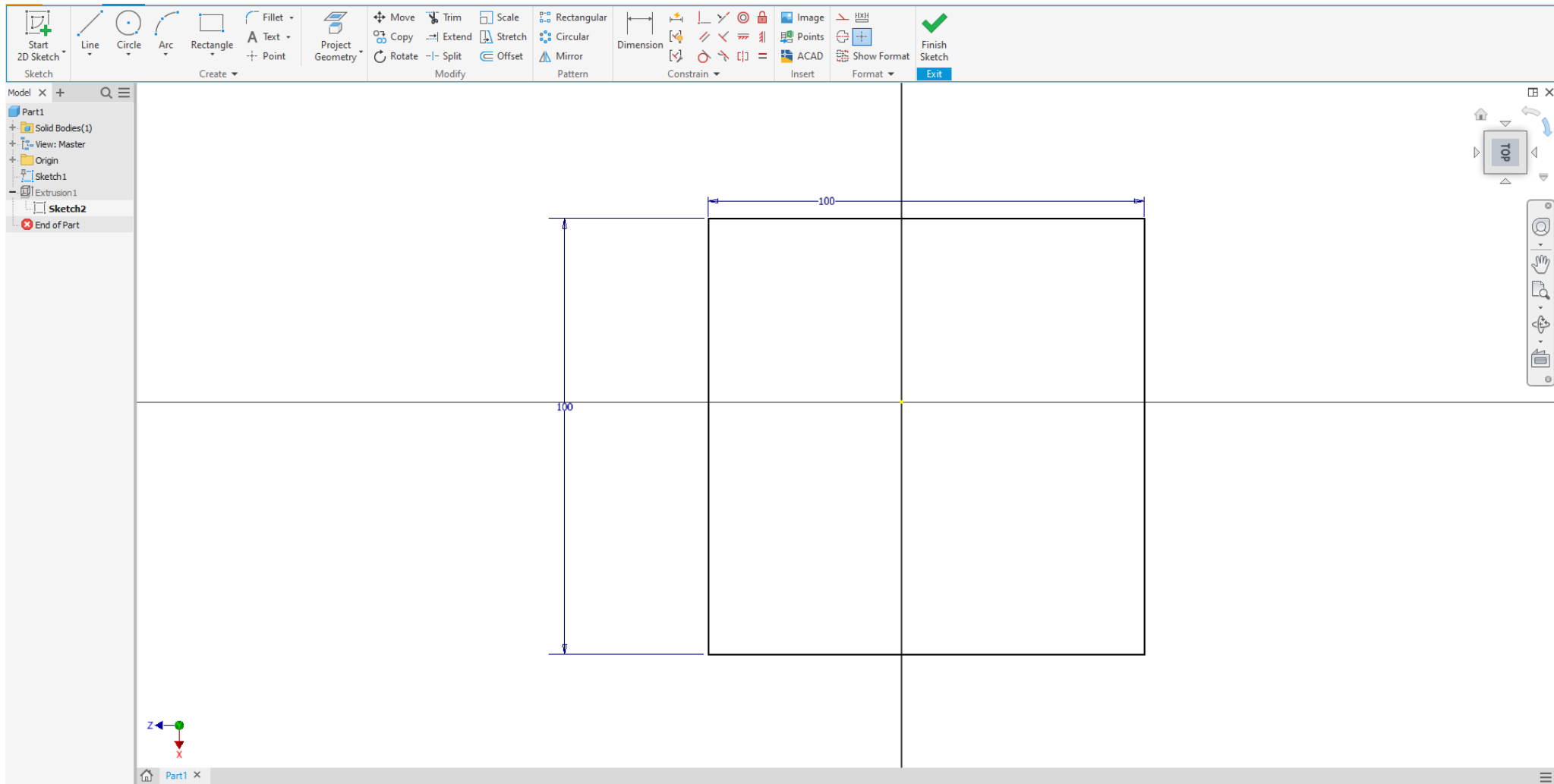
AUTODESK INVENTOR

Dice

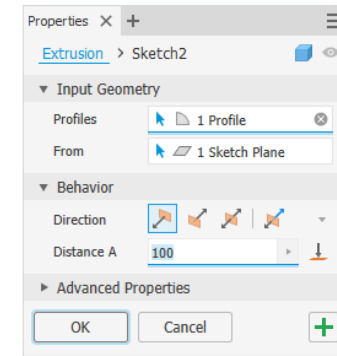
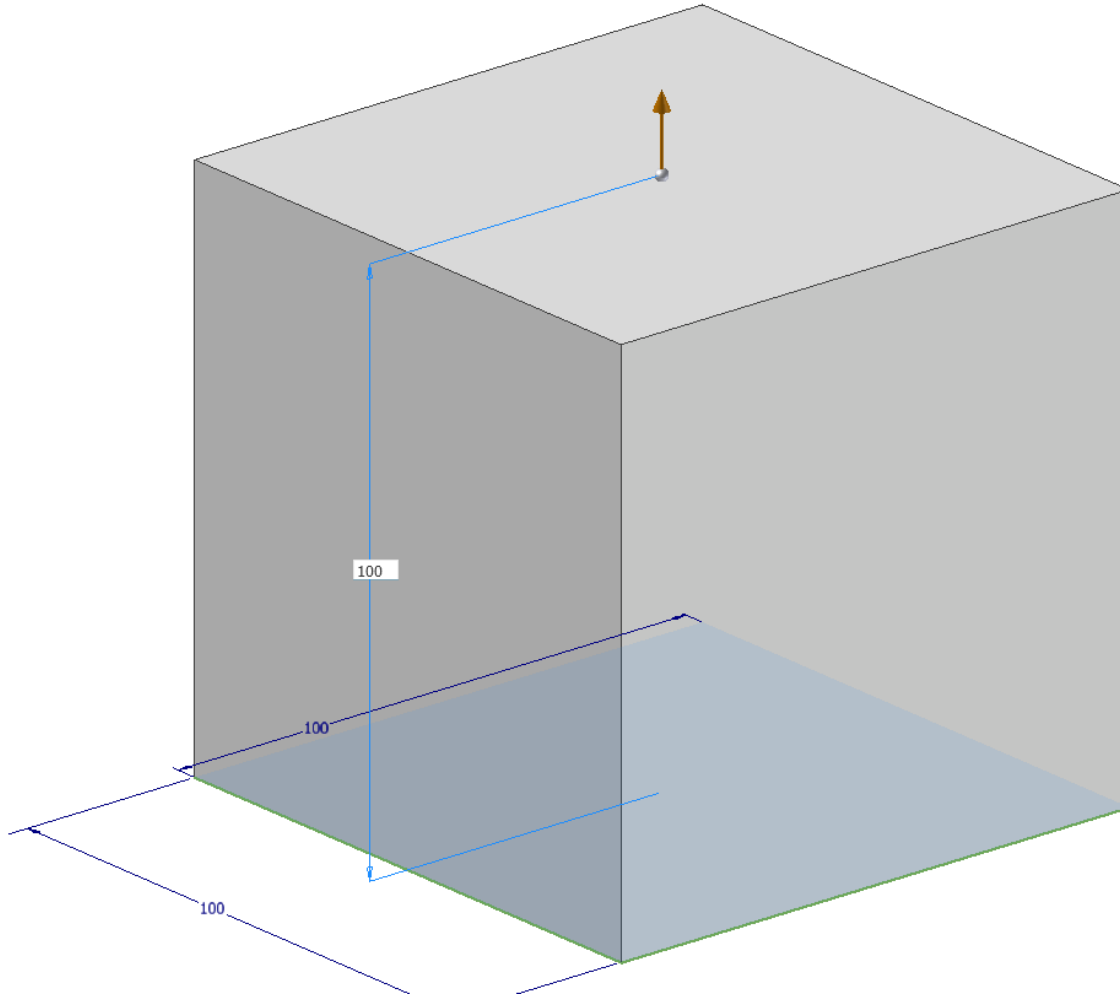
New > Templates > en-US > Metric (last one first row)



Draw a Rectangle 100mm X 100mm



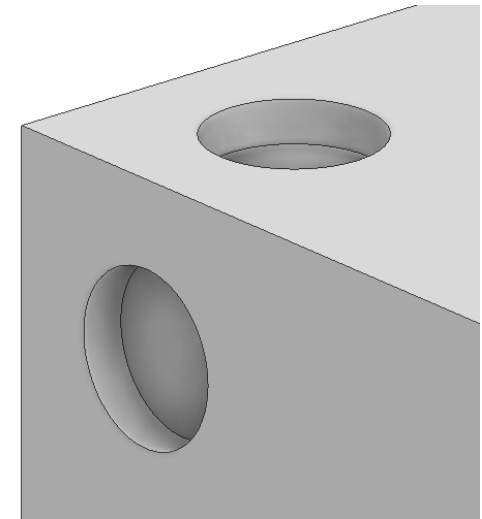
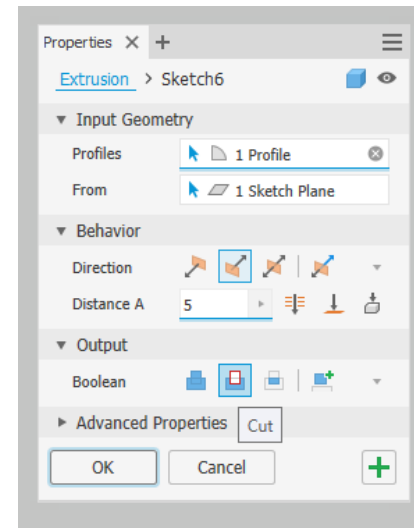
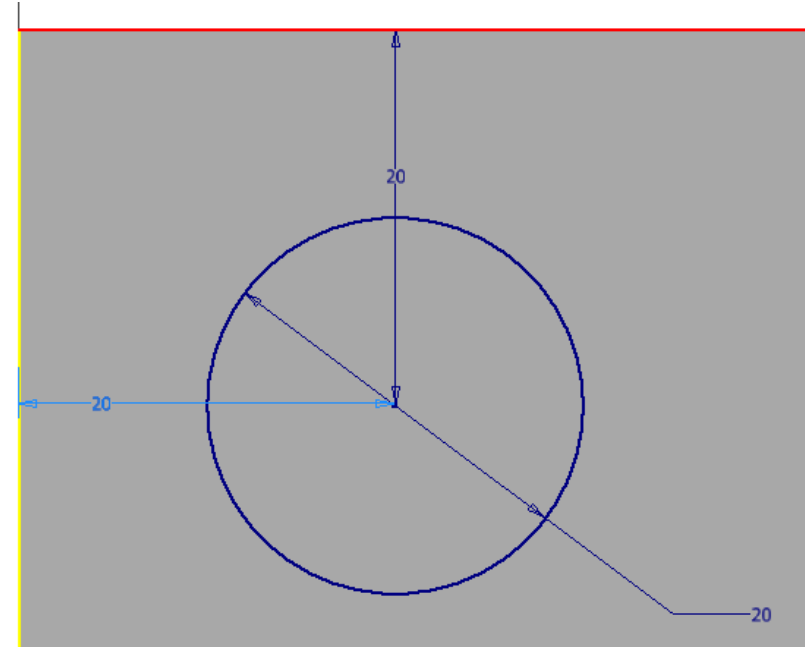
Finish sketch > Extrude to 100 mm



Sketch on 1 surface

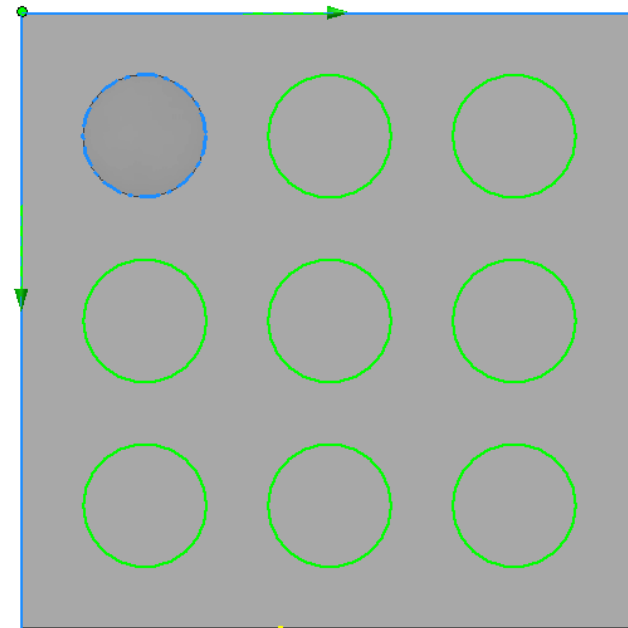
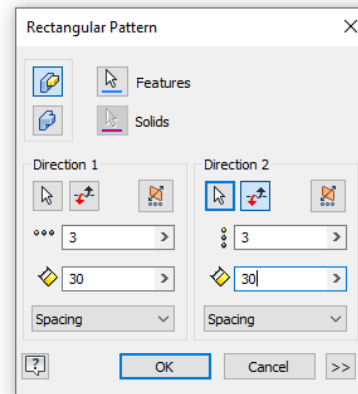
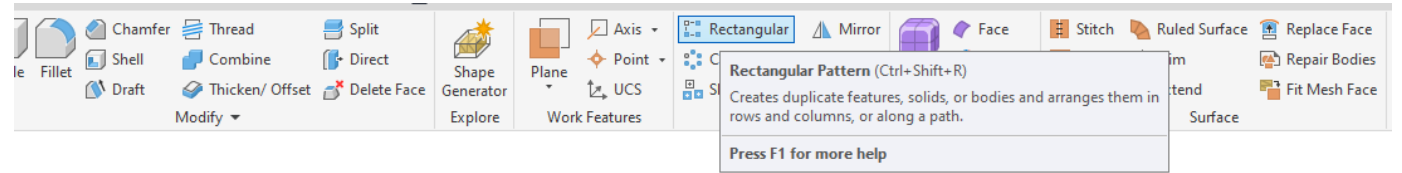
- Draw a circle
- Dimension circle to 20 mm
- 20 mm from the top edge
- 20 mm from the side edge

- Finish sketch
- Extrude subtract 5mm

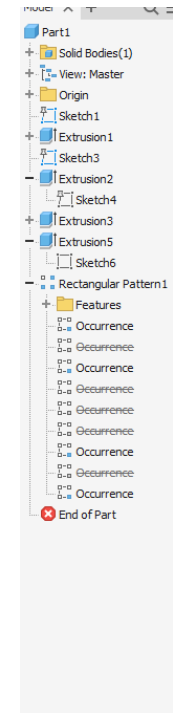
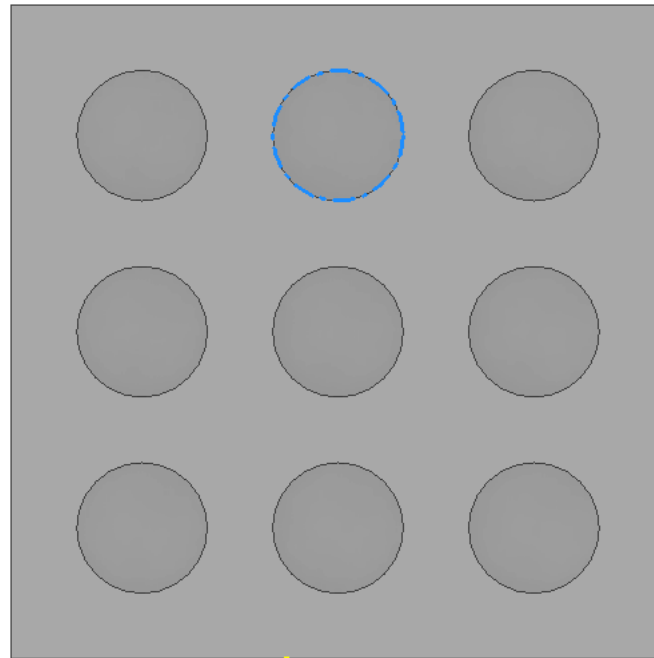
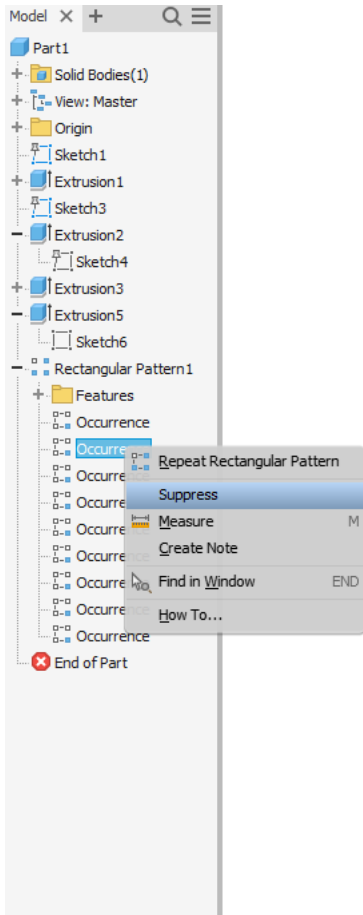


Rectangular Pattern

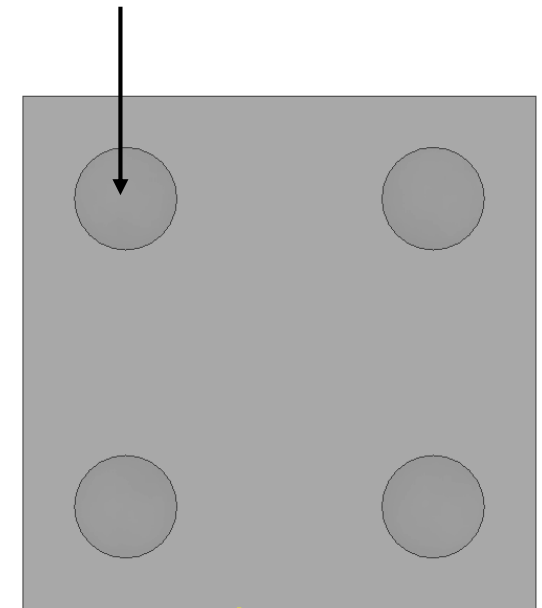
- Feature is the circle
- Direct 1 edge
- Direction 2 opposite edge
- 3 repeats
- 30 mm apart



Supress in the model tree



- You can't suppress the first circle drawn



Finished Dice

